



Highcliff™ Ultra

Top spud flushometer bowl
K-96057-B

Features

- Elongated bowl offers added room and comfort.
- 4-bolt base for added stability.
- 1½" (38 mm) top spud.
- 10" x 7" (254 mm x 178 mm) water surface.
- 2-1/8" (54 mm) fully glazed trapway.
- 10" or 12" (254 or 305 mm) rough-in.

Material

- Vitreous china.

Technology

- Designed to outperform competitors in bowl cleanliness and plug resistance.
- Maximum waste removal.
- Engineered for toilet seat cover removal.
- Excellent bowl rinse.
- Engineered to flush effectively in buildings with low supply pressure and flow.
- Maximum drain line carry at all flush volumes per ASME standard.

Installation

- Replaces Highcliff K-4368-B. Height and footprint may vary.

Included Components

Additional Components:

- Bolt cap accessory pack
- Spud



ADA **CSA B651** **OBC**

Codes/Standards

ASME A112.19.2/CSA B45.1
DOE - Energy Policy Act 1992
EPA WaterSense®
California Energy Commission (CEC)
ADA
ICC/ANSI A117.1
CSA B651
OBC

KOHLER® One-Year Limited Warranty

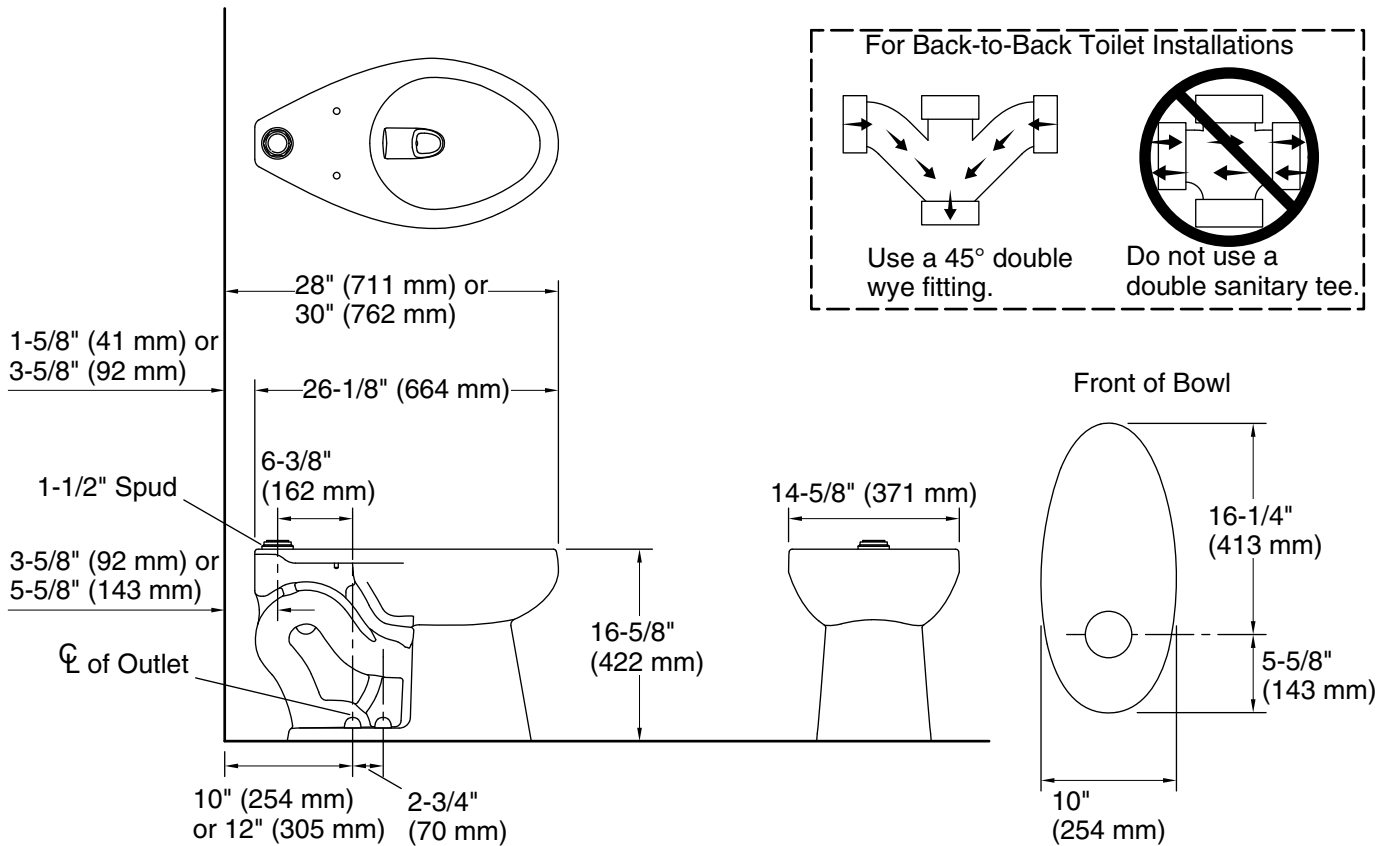
See website for detailed warranty information.

Available Colors/Finishes

Color tiles intended for reference only.

Color Code Description

| | | |
|--|---|-------|
| | 0 | White |
|--|---|-------|



Technical Information

All product dimensions are nominal.

| | |
|-----------------------|----------------------------|
| Toilet type: | Flushometer, Floor-mount |
| Waste Outlet: | Floor |
| Bowl shape: | Elongated |
| Flush type: | Flushometer valve siphon |
| Spud size: | Inlet, Top |
| Trap passageway: | 2-1/8" (54 mm) |
| Water Consumption | |
| Full: | 1.6 gpf (6 lpf) |
| Reduced: | 1 gpf (3.8 lpf) |
| Water surface size: | 10" x 7" (254 mm x 178 mm) |
| Rim to water surface: | 6" (152 mm) |
| Rough-in: | 12" (305 mm) |
| Seat-mounting holes: | 5-1/2" (140 mm) |

Fixture Supply Requirements

| | |
|----------------------|--------------------|
| Min static pressure: | 35 psi (241.3 kPa) |
| Max static pressure: | 80 psi (551.6 kPa) |
| Min flowing | 25 psi (172.4 kPa) |

1-800-4KOHLER (1-800-456-4537)

Kohler Co. reserves the right to make revisions without notice to product specifications.

For the most current Specification Sheet, go to www.kohler.com.

6-26-2021 04:29 - US/CA

Notes

Install this product according to the installation instructions.

For back-to-back toilet installations: Use only a 45° double wye fitting.

ADA, OBC, CSA B651 compliant when installed to the specific requirements of these regulations.

Plumbing codes may require elongated toilets and elongated, open-front seats in public bathrooms.

Accessibility standards may require controls to be located on the open side of the toilet.